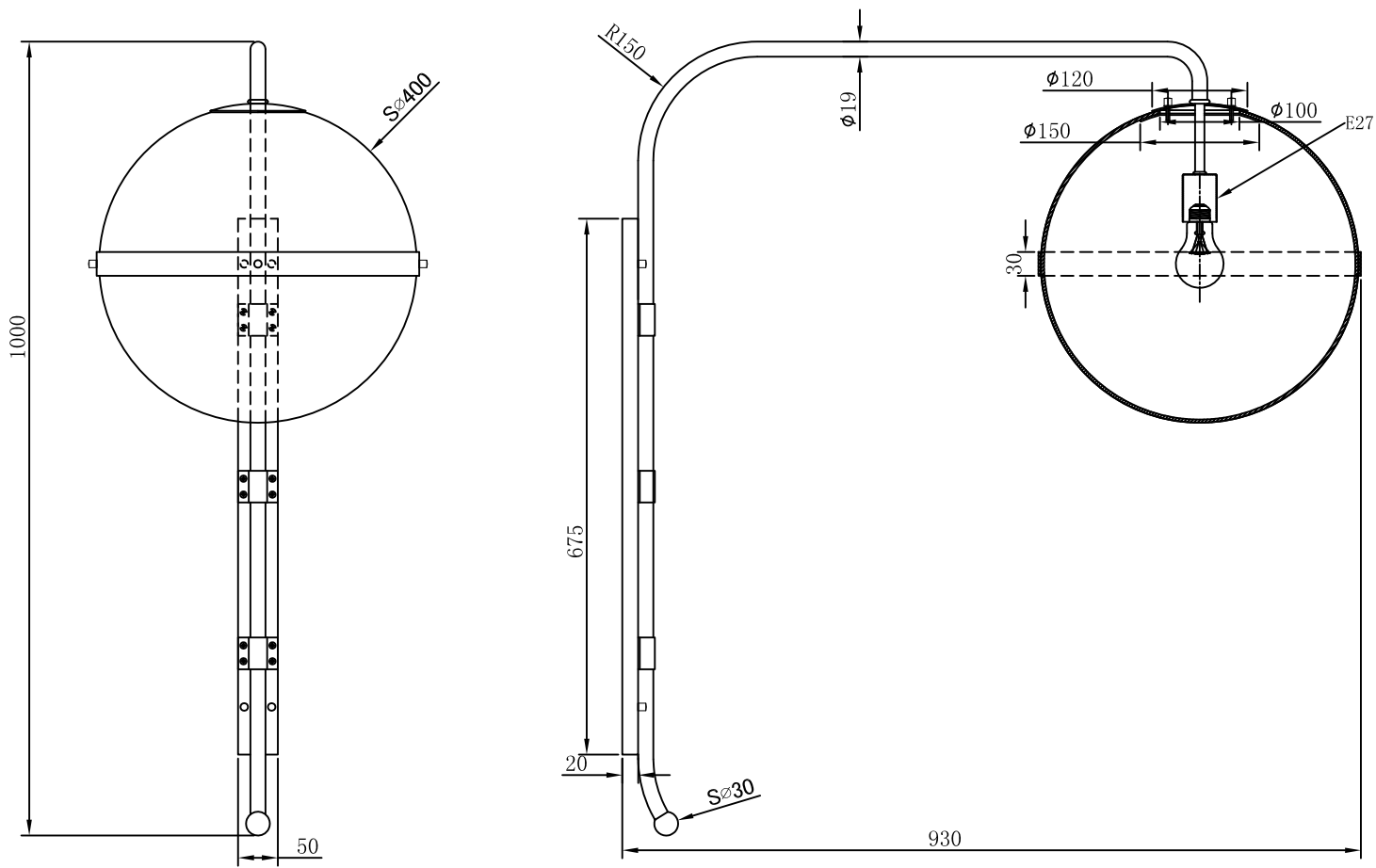


DO NOT SCALE DRAWING

ZONE	REV.	DESCRIPTION	DATE	ISSUE BY
------	------	-------------	------	----------



Remark:

1. Glass globe ball, milky color
2. Metal finish black powder coated
3. Wire come out from bottom of bracket
4. All electrical components are AU/NZ standard

		Product Name: Dunedin C&B Wall Light	
		Project Name: _____ / _____	
Material:	Unit as below if unmarked: 1. Unit (mm) ;	Producer: GHJ	Date 2015-8-13
Weight:		Checker: Sonny Yu	Date 2015-8-13
Finish:	Scale 1: 1	Approved By: _____	Date: _____
		Item No. _____	Page <u>1</u> OF <u>1</u>
		Version: A0	