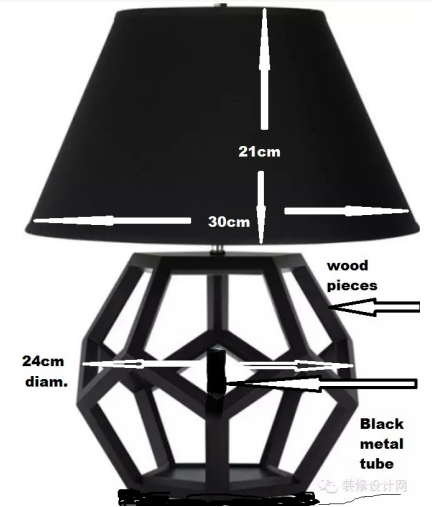
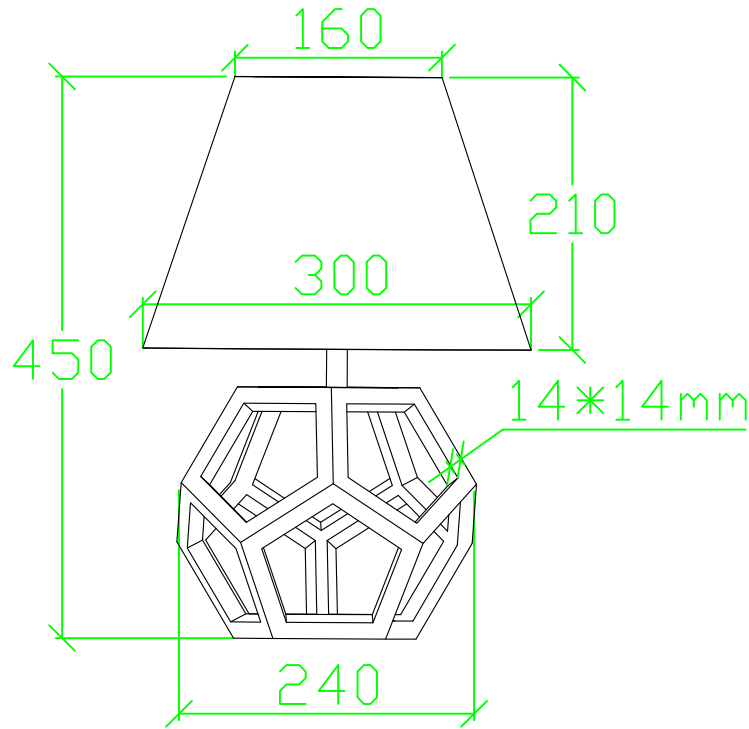


DO NOT SCALE DRAWING

ZONE	REV.	DESCRIPTION	IME	ISSUE BY
------	------	-------------	-----	----------



Remark:

1. Wooden/metal base, metal column
2. All electrical components are AU/NZ standard
3. B22 lamp holder, 6W LED bulb for source
4. Powder coated finish in matt black
5. Black cord with on/off switch in line, off base 100mm, switch to three pin side entry plug 1.5m
6. Two lights, two shades, two lamps into one carton, foam packed, with ZeroUNO tag.

 ZeroUNO Lighting		Product Name: LUGO	
		Project Name: /-----	
Material:	Unit as below if unmarked: 1, Unit (mm) ;	Producer: Chen Yong	Date 2015-5-22
Weight:		Checker: Sonny Yu	Date 2015-5-22
Finish:	Scale 1: 1	Approved By:	Date:
		Item No. /-----	Page 1 OF 1
			Version: A0