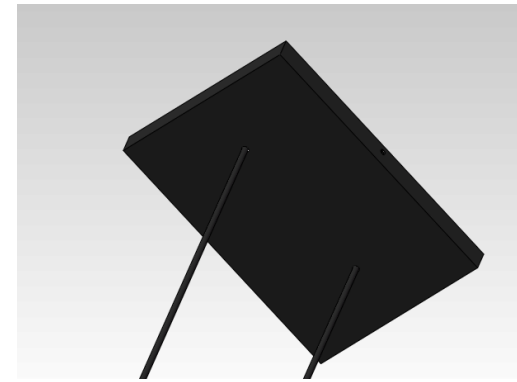
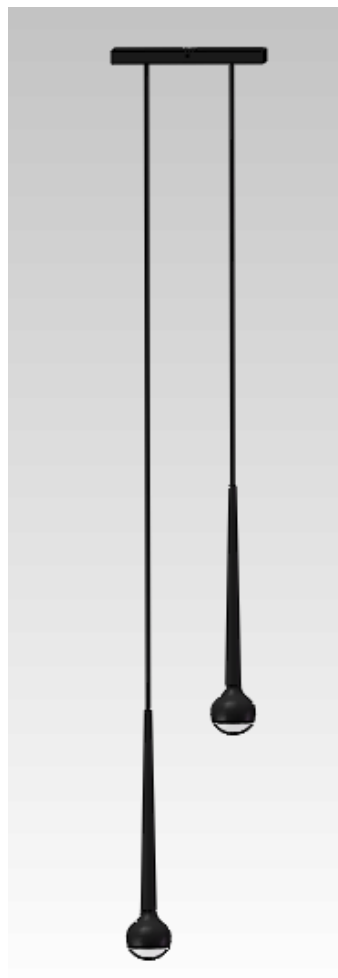
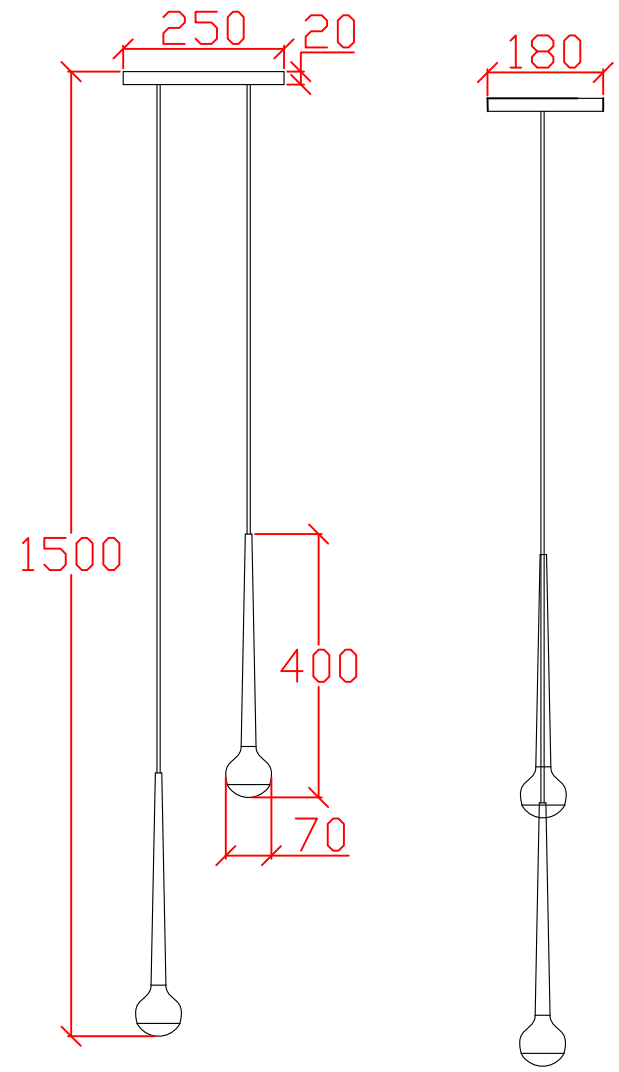



DO NOT SCALE DRAWING

ZONE	REV.	DESCRIPTION	DATE	ISSUE BY
------	------	-------------	------	----------



- Remark:
1. The length of electrical cable is adjustable
  2. LED 6W 3000K each drops
  3. Hard wired on back of ceiling mount

 <b>ZeroUNO</b> ZeroUNO Lighting		Product Name: Orbis Double Pendant Light	
		Project Name: /-----	
Material:	Unit as below if unmarked: 1. Unit (mm) :	Producer: Chen Yong	Date 2015-5-9
Weight:		Checker: Sonny Yu	Date 2015-5-9
Finish:	Scale 1: 1	Designer: Tracy Cook-Kelland	Item No. /-----
		Page 1 OF 1	Version: A0