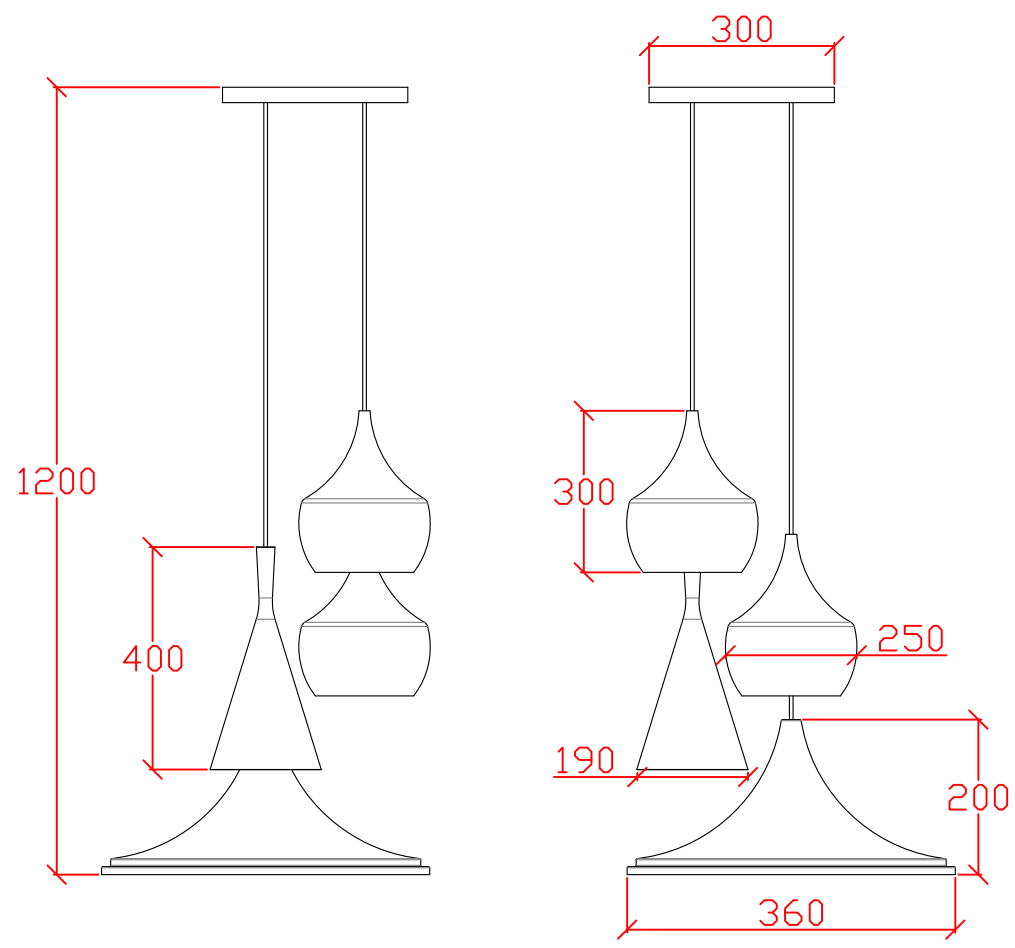



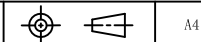
DO NOT SCALE DRAWING

ZMC	REV.	DESCRIPTION	IME	ISSUE BY
-----	------	-------------	-----	----------



Remark:

1. Matt black outside, brass inside
2. E27 lamp holder
3. All electrical components are AU/NZ standard

 ZeroUNO ZeroUNO Lighting		Product Name: Pendant light	
		Project Name: /-----	
Material:	Unit as below if unmarked: 1. Unit (mm) ;	Producer: Chen Yong	Date 2015-8-5
Weight:		Checker: Sonny Yu	Date 2015-8-5
Finish:	Scale 1: 1	Approved By:	Date:
		Item No.	Page <u>1</u> OF <u>1</u>
		/-----	Version: A0