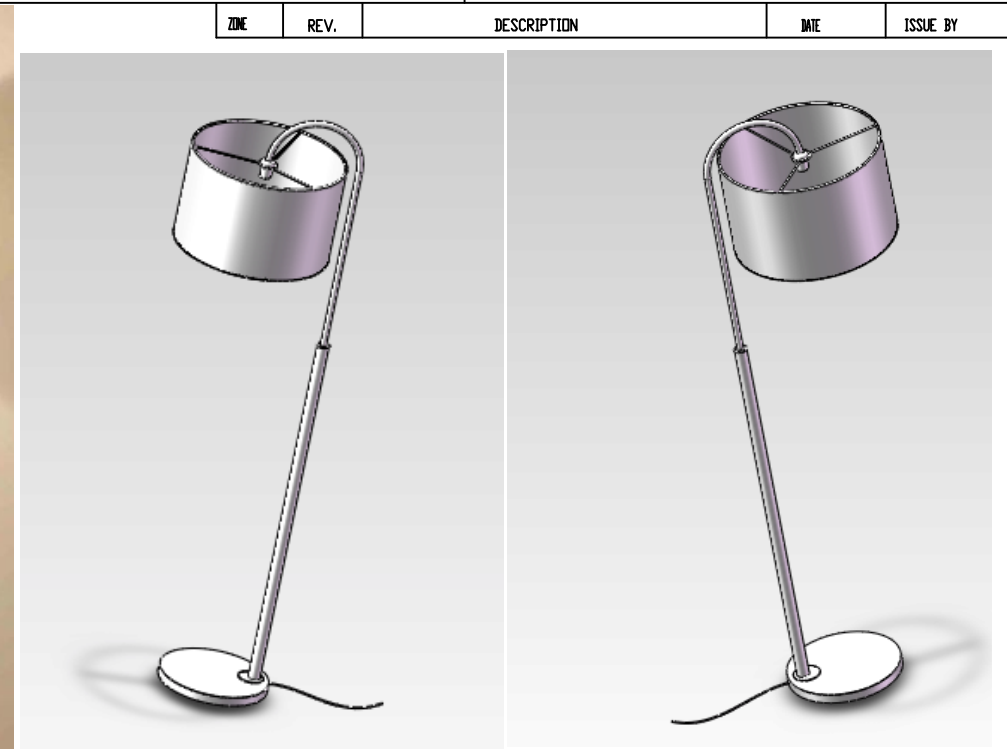
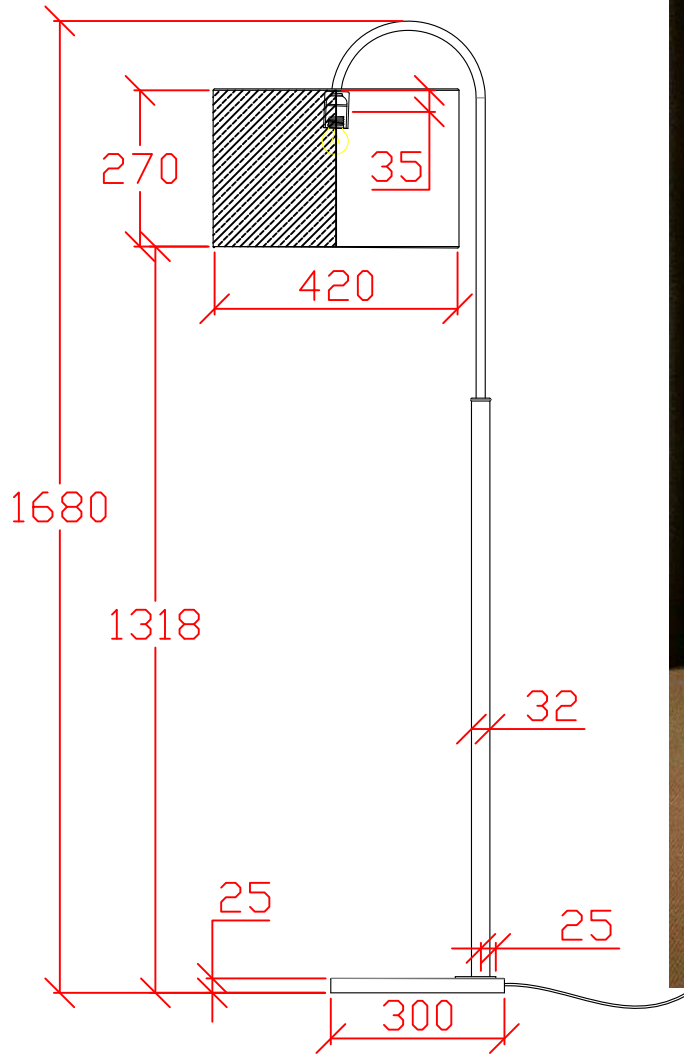


DO NOT SCALE DRAWING



ZONE	REV.	DESCRIPTION	DATE	ISSUE BY
------	------	-------------	------	----------

Remark:

1. Finish to be satin nickle
2. 1.5m black cord with AU standard three pin plug, foot switch in line, off base 150mm.
3. All electrical components are AU standard
4. E27 lamp holder, 6W LED bulb for light source

		Product Name: Fiji Floor light	
		Project Name: Fiji	
Material:	Unit as below if unmarked: 1. Unit (mm) :	Producer: Chen Yong	Date: 2015-4-21
Weight:		Checker: Sonny Yu	Date: 2015-4-21
Finish:	Scale 1: 1	Approved By:	Date:
		Item No.	Page 1 OF 1
			Version: A0