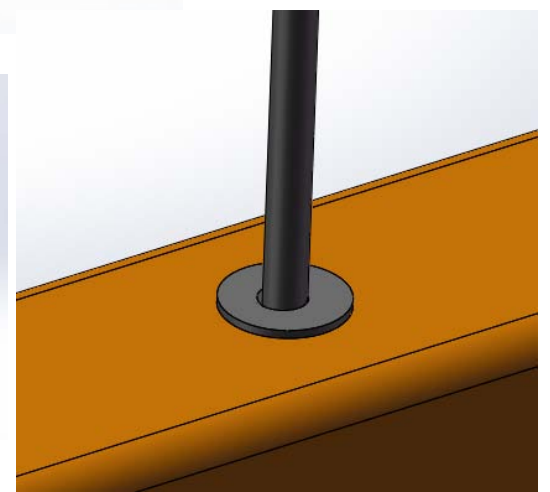
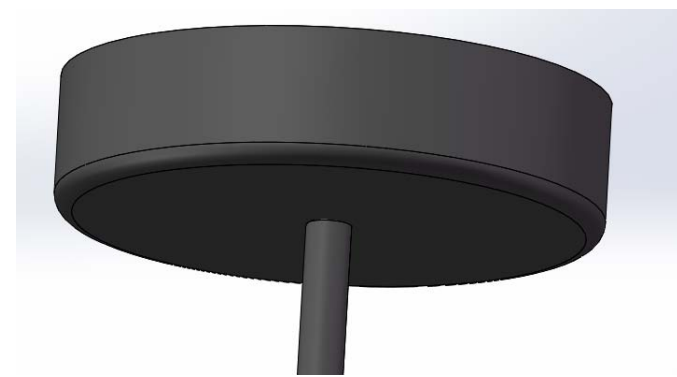
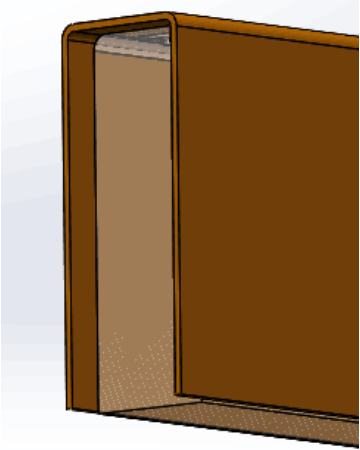
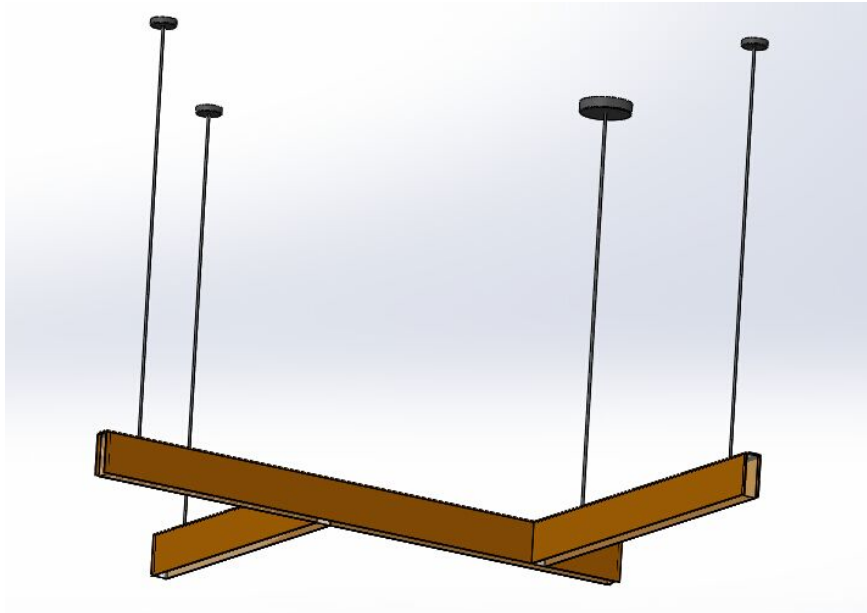
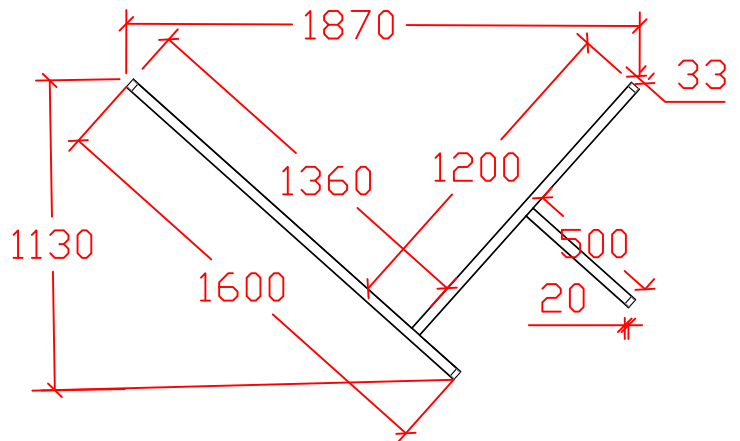
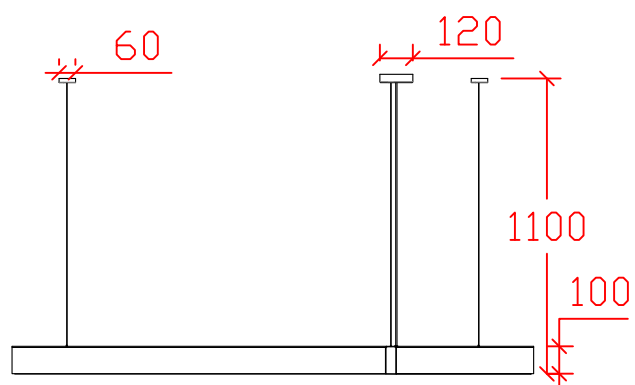


DO NOT SCALE DRAWING

ZMC	REV.	DESCRIPTION	IME	ISSUE BY
-----	------	-------------	-----	----------



- Remark:
1. Lamp arms finish in satin bronzey, rods and ceiling mounted plates finish in matt finish black chrome
 2. 22W LED for lightsource, CCT 4000K
 3. PMMA+iron
 4. Rods to suspend the light fitting
 5. Transformer inside the bigger round mounted plate
 6. All electrical components are AU/NZ standard

		Product Name: DD over reception pendant light -2	
		Project Name: /-----	
Material:	Unit as below if unmarked: 1. Unit (mm) ;	Producer: Chen Yong	Date 2015-8-24
Weight:		Checker: Sonny Yu	Date 2015-8-24
Finish:	Scale 1: 1	Approved By:	Date:
		Item No.	Page 1 OF 1
			Version: A1