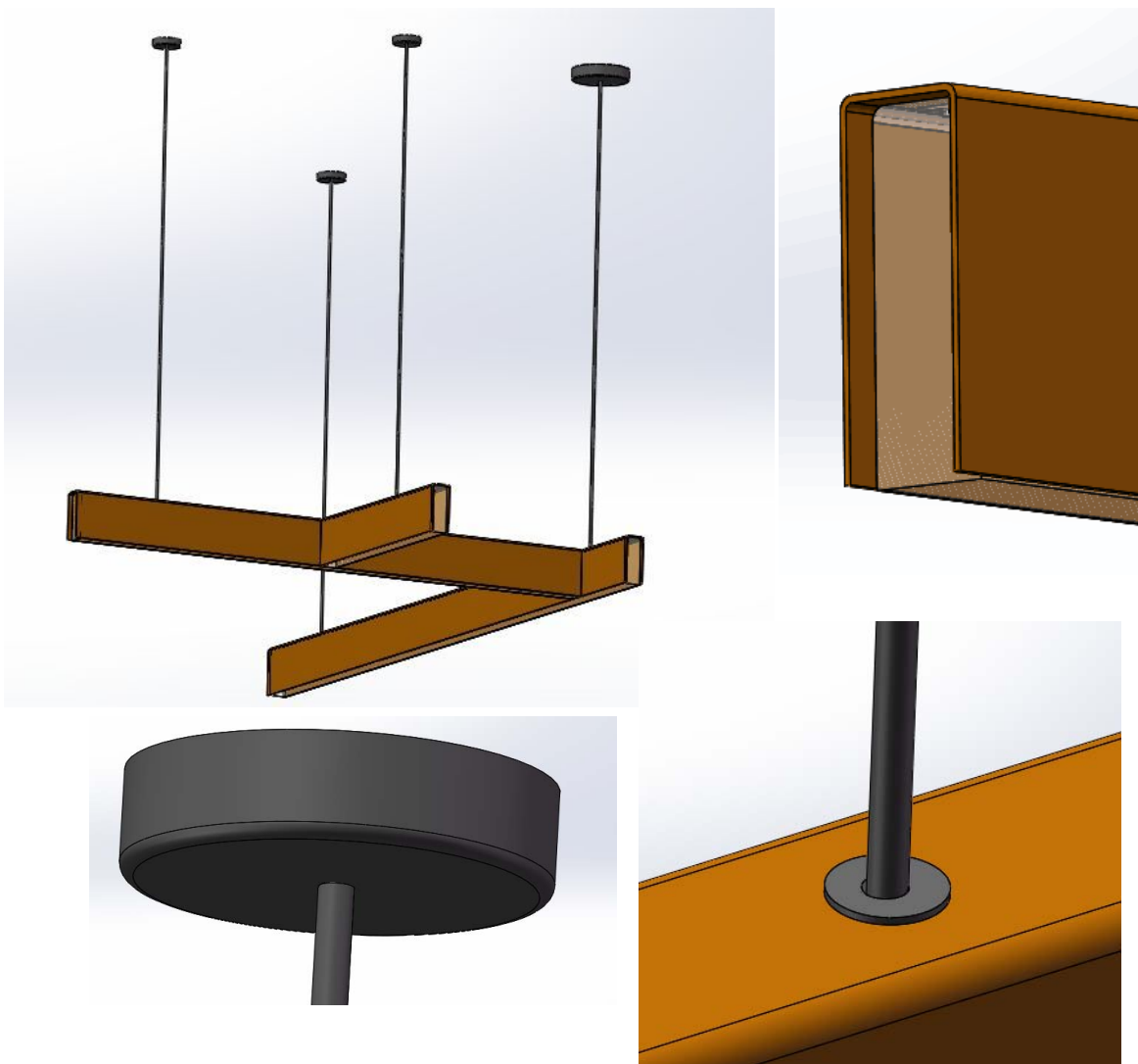
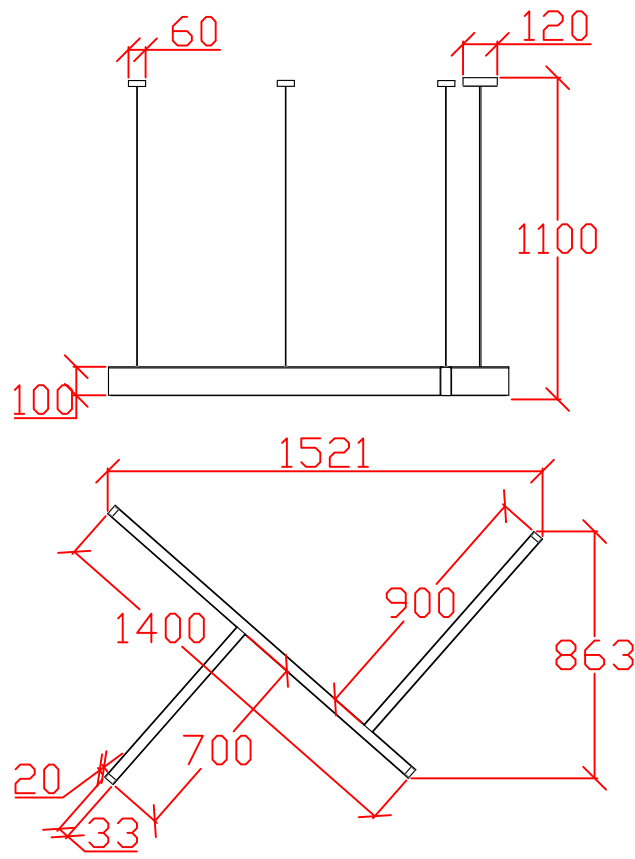


DO NOT SCALE DRAWING

ZONE	REV.	DESCRIPTION	DATE	ISSUE BY
------	------	-------------	------	----------



Remark:

1. Lamp arms finish in satin bronzey, rods and ceiling mounted plates finish in matt finish black chrome
2. 20W LED for lightsource, CCT 4000K
3. PMMA+iron
4. Rods to suspend the light fitting
5. Transformer inside the bigger round mounted plate
6. All electrical components are AU/NZ standard

		Product Name: DD over reception pendant light	
		Project Name: /-----	
Material:	Unit as below if unmarked: 1. Unit (mm) ;	Producer: Chen Yong	Date 2015-8-24
Weight:		Checker: Sonny Yu	Date 2015-8-24
Finish:	Scale 1: 1	Approved By:	Date:
		Item No.	Page 1 OF 1
			Version: A1