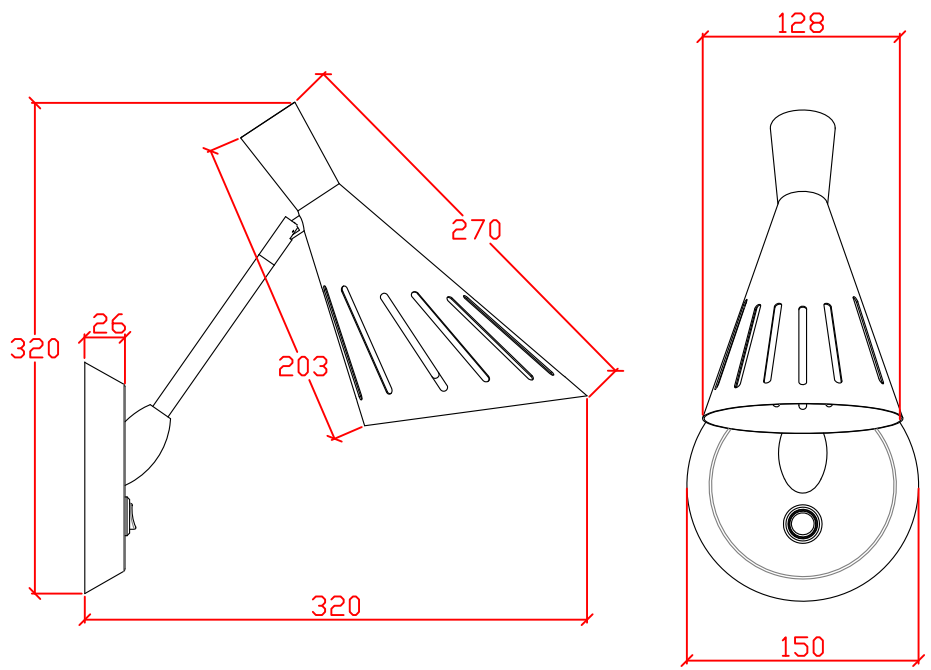


DO NOT SCALE DRAWING

ZONE	REV.	DESCRIPTION	DATE	ISSUE BY
------	------	-------------	------	----------



- Remark:
1. Finish: Black dyeing finish and satin nickle on foot, white paint for inner shade
 2. 1x E27 lamp holder, 5W LED bulb 3000K for light soure
 3. 1.5m black cord with side entry three pin AU plug
 4. Black plastic on/off rocker swith on plate, must be in good quality
 5. Swivel for shade must be in good quality
 6. All electrical components are AU/NZ standard.

		Product Name: Cilla bedhead wall light	
		Project Name: /-----	
Material:	Unit as below if unmarked: 1. Unit (mm) ;	Producer: Chen Yong	Date 2015-10-27
Weight:		Checker: Chen Yong	Date 2015-10-27
Finish:	Scale 1: 1	Approved By: /-----	Date: /-----
		Item No. /-----	Page <u>1</u> OF <u>1</u>
			Version: A0