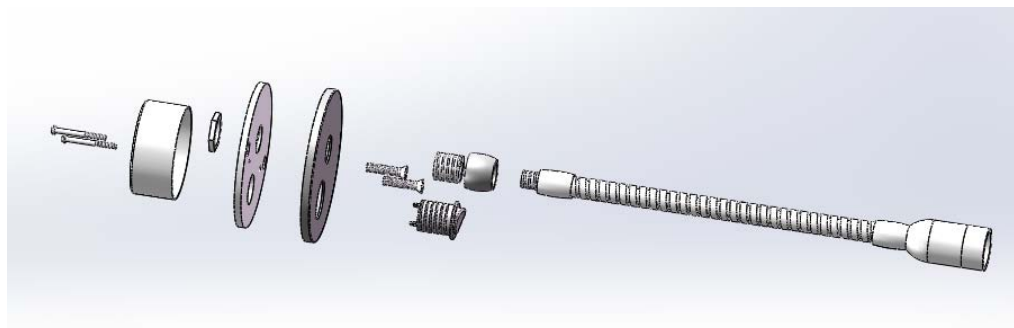
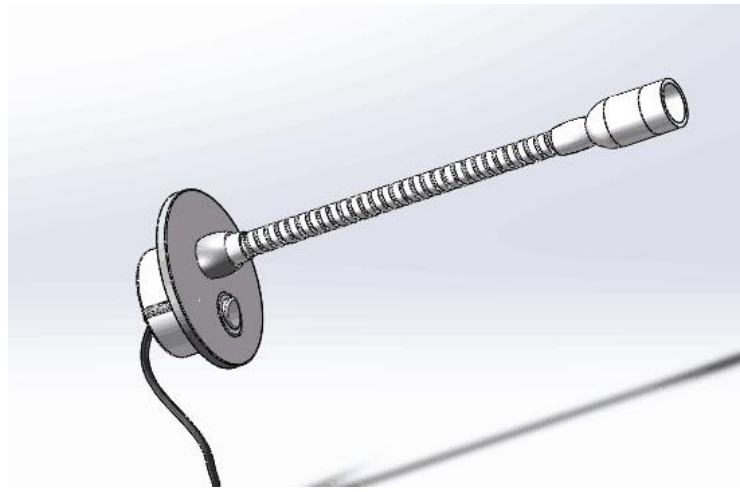
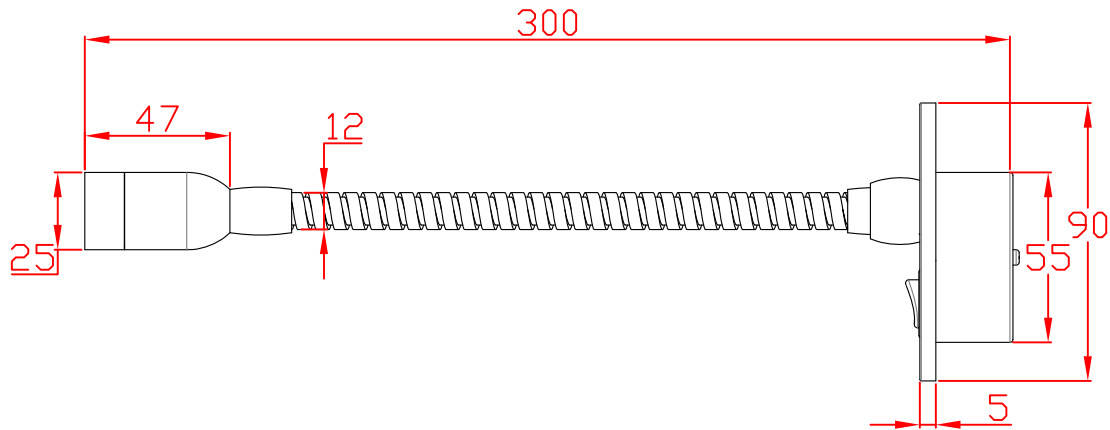


DO NOT SCALE DRAWING

ZMC	REV.	DESCRIPTION	IME	ISSUE BY
-----	------	-------------	-----	----------



Remark:

1. Finish: bright chrome
2. 1~3W Cree LED for source, transformer in rear box
3. On/Off switch on plate
4. 2000mm lead with side entry wall plug
5. All electrical components are in AU/NZ standard

 ZeroUNO ZeroUNO Lighting		Product Name:			
		Project Name:			
Material:	Unit as below if unmarked: 1. Unit (mm) ;	Producer:	Chen Yong	Date:	2016-3-22
Weight:		Checker:	Sonny Yu	Date:	2016-3-22
Finish:	Scale 1: 1	Approved By:		Date:	
		Item No.		Page	<u>1</u> OF <u>1</u>
				Version:	A0