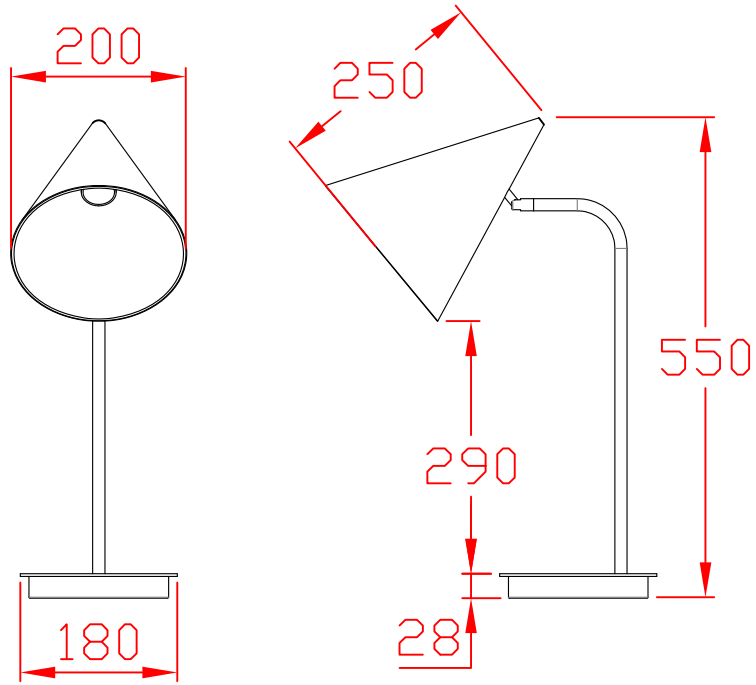



DO NOT SCALE DRAWING

ZONE	REV.	DESCRIPTION	DATE	ISSUE BY
------	------	-------------	------	----------



**Remark:**

1. Finish: Powder coated
2. In line on/off switch, three pin side entry wall plug
3. 1x E27 for source
4. All electrical components are AU/NZS standard

 <b>ZeroUNO</b> ZeroUNO Lighting		Product Name: Orewa	
		Project Name: /-----	
Material:	Unit as below if unmarked: 1. Unit (mm) :	Producer: Chen Yong	Date: 2016-1-7
Weight:		Checker: Sonny Yu	Date: 2016-1-7
Finish:	Scale 1: 1	Approved By: /-----	Date: /-----
		Item No. /-----	Page <u>1</u> OF <u>1</u>
		Version: A0	