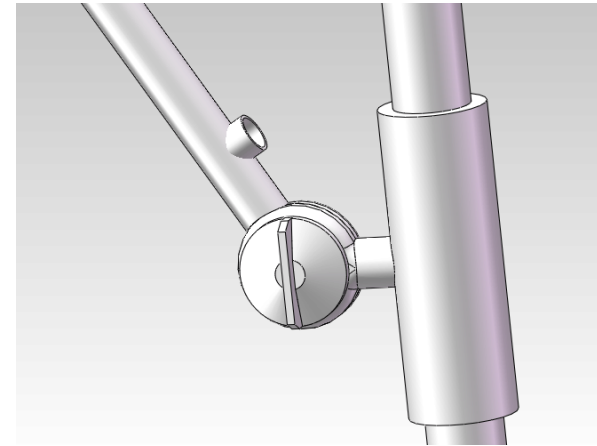
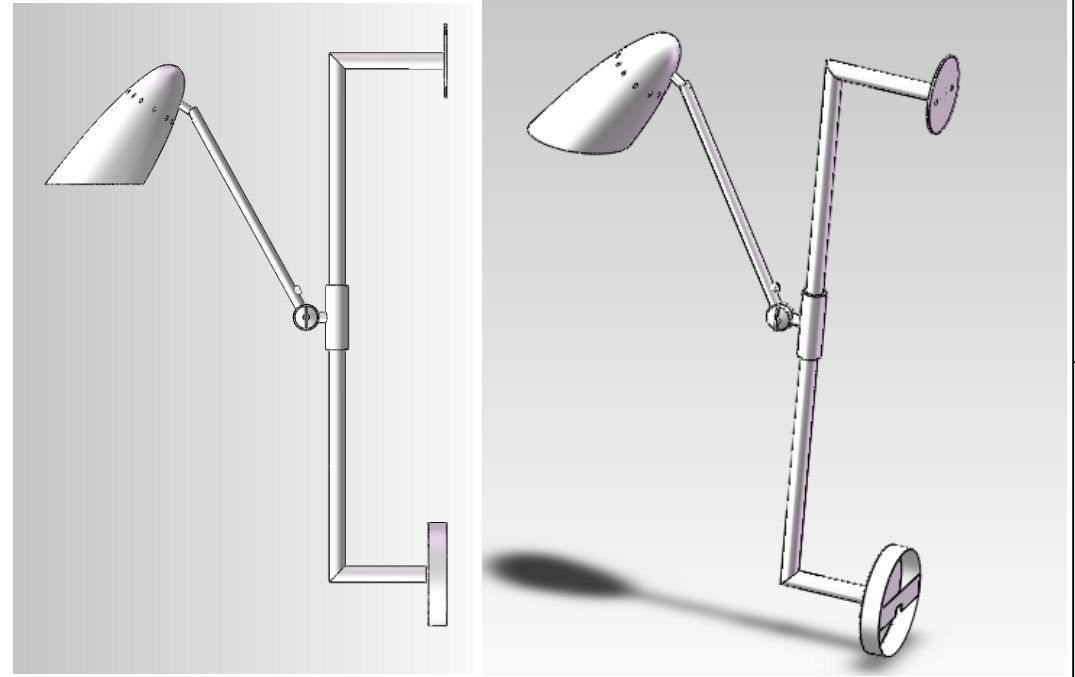
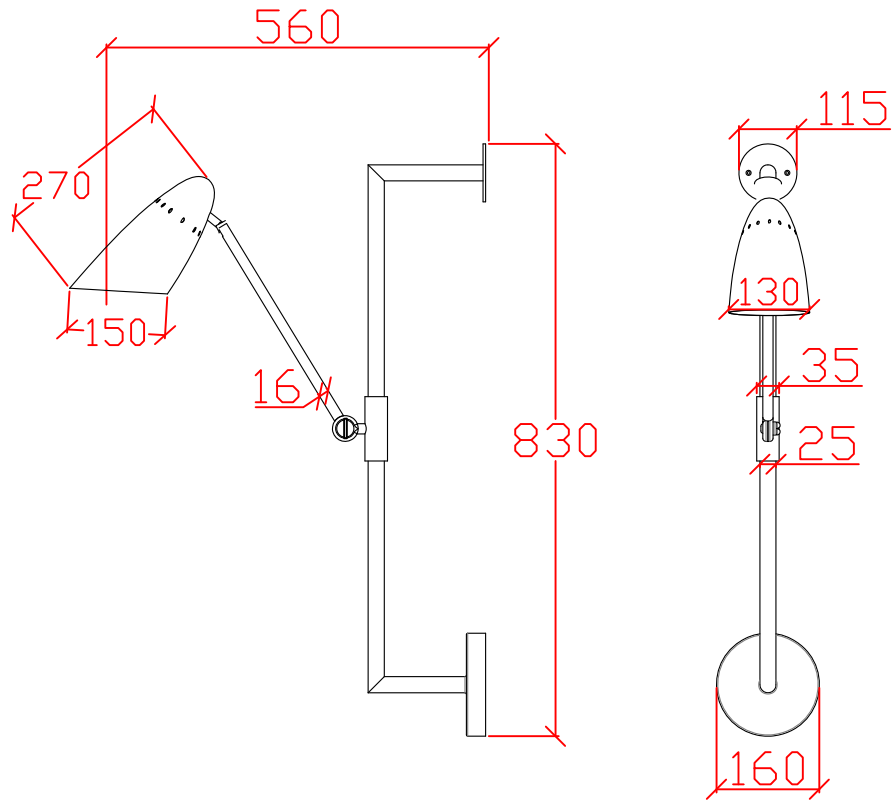



DO NOT SCALE DRAWING



Remark:

1. Finish TBA
2. All electrical components are AU/NZ standard
3. E27 lamp holder, E27 6W LED bulb for source
4. Hard wired on back of plate

ZONE	REV.	DESCRIPTION	DATE	ISSUE BY
------	------	-------------	------	----------

 ZeroUNO ZeroUNO Lighting		Product Name: Mantis Wall Light	
		Project Name: /-----	
Material:	Unit as below if unmarked: 1. Unit (mm) ;	Producer: Chen Yong	Date: 2015-5-4
Weight:		Checker: Sonny Yu	Date: 2015-5-4
Finish:	Scale: 1:1	Approved By: /	Date: /
		Item No. /	Page: <u>1</u> OF <u>1</u>
		Version: A0	