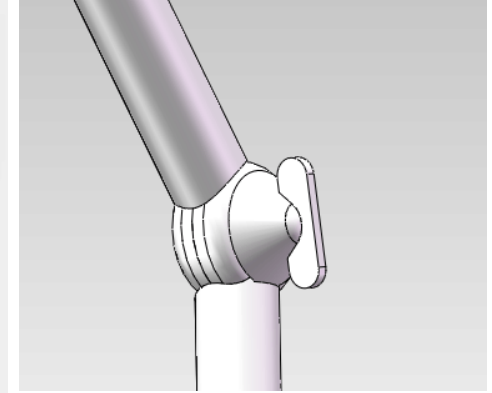
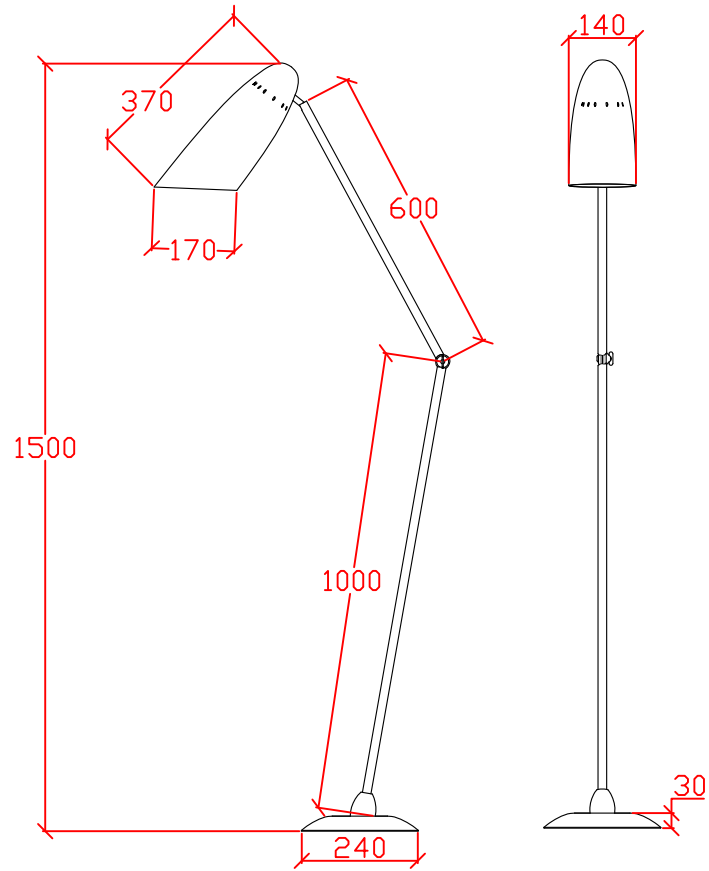



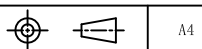
DO NOT SCALE DRAWING

ZONE	REV.	DESCRIPTION	DATE	ISSUE BY
------	------	-------------	------	----------



Remark:

1. Finish TBA
2. All electrical components are AU/NZ standard
3. 1.5m cord with foot switch in line, off base 150mm, three pin AU plug
4. E27 lamp holder, E27 6W LED bulb for source

 ZeroUNO ZeroUNO Lighting		Product Name: Mantis Floor Light	
		Project Name: NA	
Material:	Unit as below if unmarked: 1. Unit (mm) ;	Producer: Chen Yong	Date 2015-5-4
Weight:		Checker: Sonny Yu	Date 2015-5-4
Finish:	Scale 1: 1	Approved By:	Date:
		Item No. / - - - - -	Page <u>1</u> OF <u>1</u> Version: A0