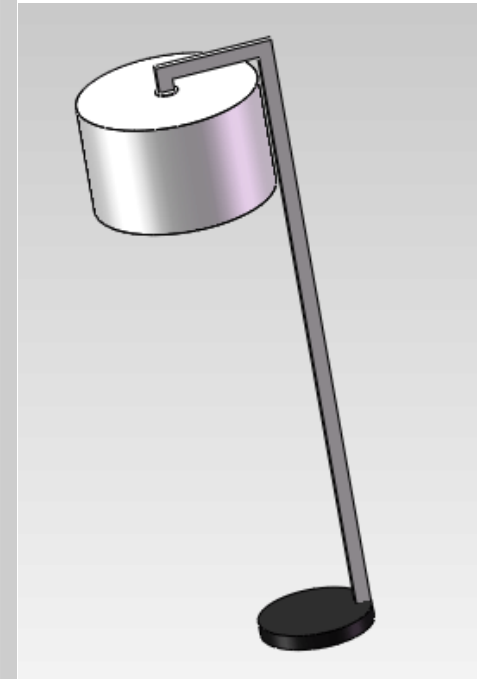
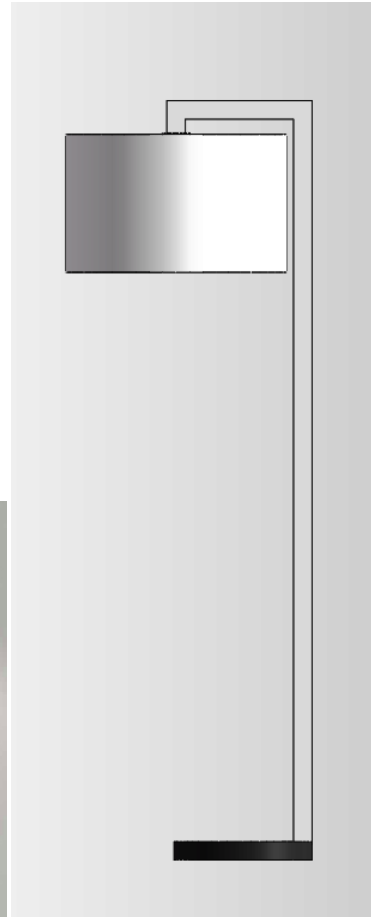
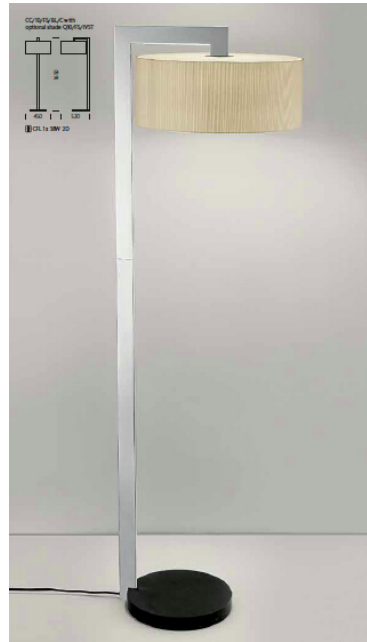
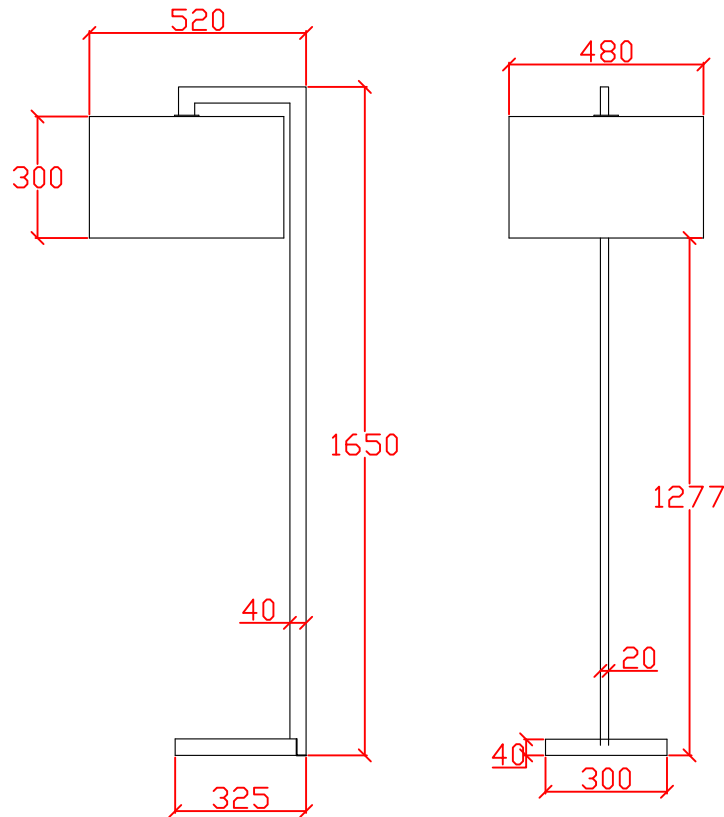


DO NOT SCALE DRAWING

ZMC	REV.	DESCRIPTION	DWG	ISSUE BY
-----	------	-------------	-----	----------



Remark:

1. E27 lamp holder, 6W LED bulb for light source
2. Shade fabric TBA
3. Finish to be black and silvery(powder coated)
4. All electrical components are AU/NZ standard
5. 1.5m black cord with foot switch on line, off base 150mm, three pin side entry wall plug.

		Product Name: Lantin Floor Light	
		Project Name: /-----	
Material:	Unit as below if unmarked: 1. Unit (mm) ;	Producer: Chen Yong	Date 2015-5-7
Weight:		Checker: Sonny Yu	Date 2015-5-7
Finish:	Scale 1: 1	Designer: Tracy Cook-Kelland	
		Item No. /-----	Page <u>1</u> OF <u>1</u>
			Version: A0