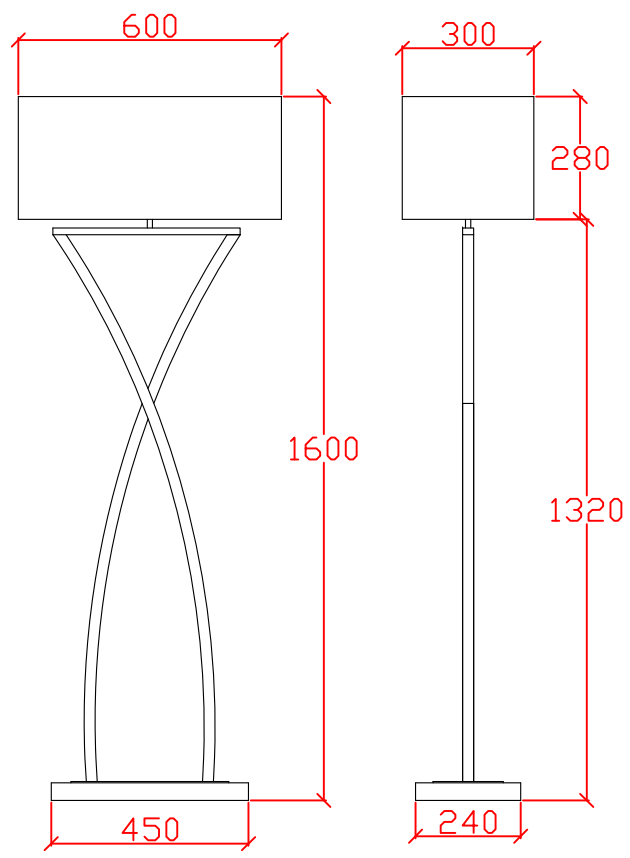



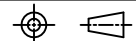
DO NOT SCALE DRAWING

ZONE	REV.	DESCRIPTION	DATE	ISSUE BY
------	------	-------------	------	----------



Remark:

- 1. 1X E27 lamp holder
- 2. 1.5m lead with three pin side entry wall plug
- 3. Iron material with chrome finish, linen fabric
- 4. All electrical components are AU standard

 <b>ZeroUNO</b> ZeroUNO Lighting		Product Name: Floor Light-1	
		Project Name: /-----	
Material:	Unit as below if unmarked: 1. Unit (mm) ;	Producer: Chen Yong	Date: 2015-11-26
Weight:		Checker: Sonny Yu	Date: 2015-11-26
Finish:	Scale 1: 1	Approved By:	Date:
		Item No.	Page <u>1</u> OF <u>1</u>
		/-----	Version: A0