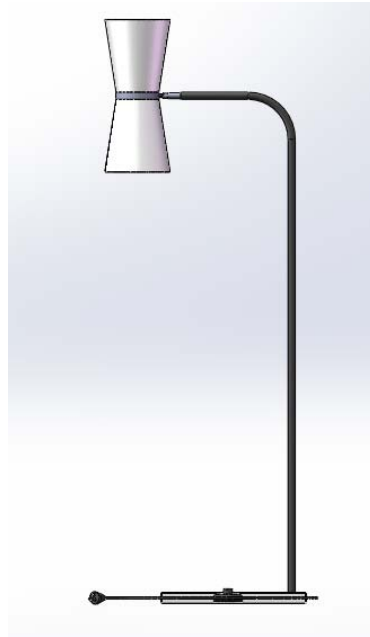
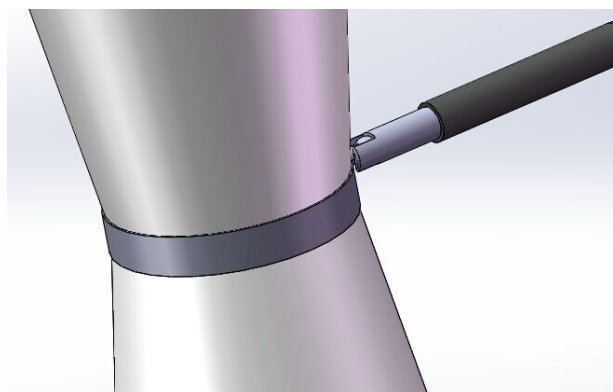
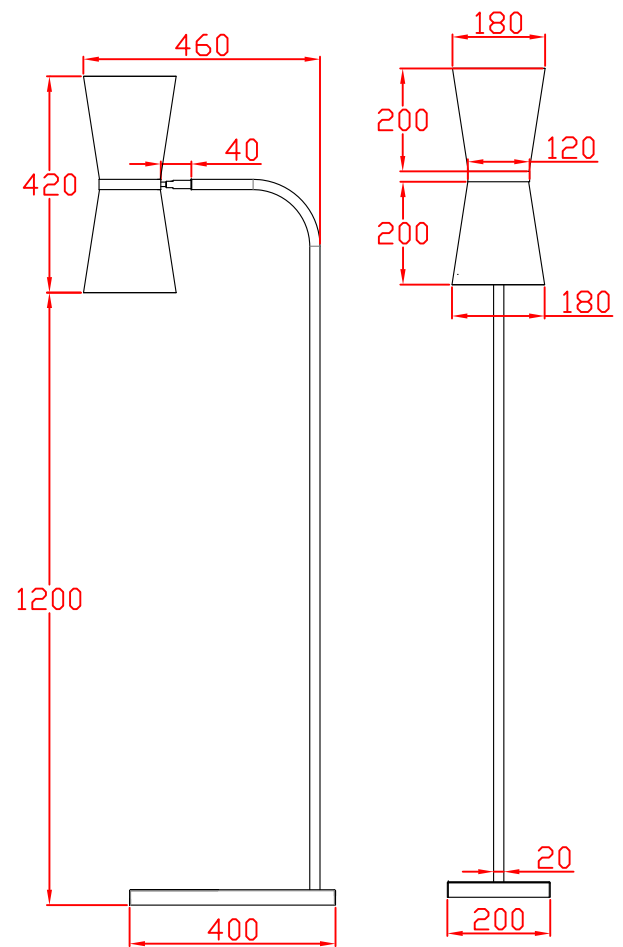



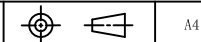
DO NOT SCALE DRAWING

ZMC	REV.	DESCRIPTION	IME	ISSUE BY
-----	------	-------------	-----	----------



Remark:

1. White powder coated for shade, bright chrome for shade ring and base, matt black for pole parts
2. 2x E27 lamp holders
3. Foot switch, off base 15cm, 1.5m cord with three pin side entry plug
4. All electrical components are AU/NZ standard

		Product Name:	
		Project Name: Floor lamp	
Material:	Unit as below if unmarked: 1. Unit (mm) ;	Producer: Chen Yong	Date 2015-12-14
Weight:		Checker: Sonny Yu	Date 2015-12-14
Finish:	Scale 1: 1	Approved By:	Date:
		Item No.	Page <u>1</u> OF <u>1</u>
			Version: A0