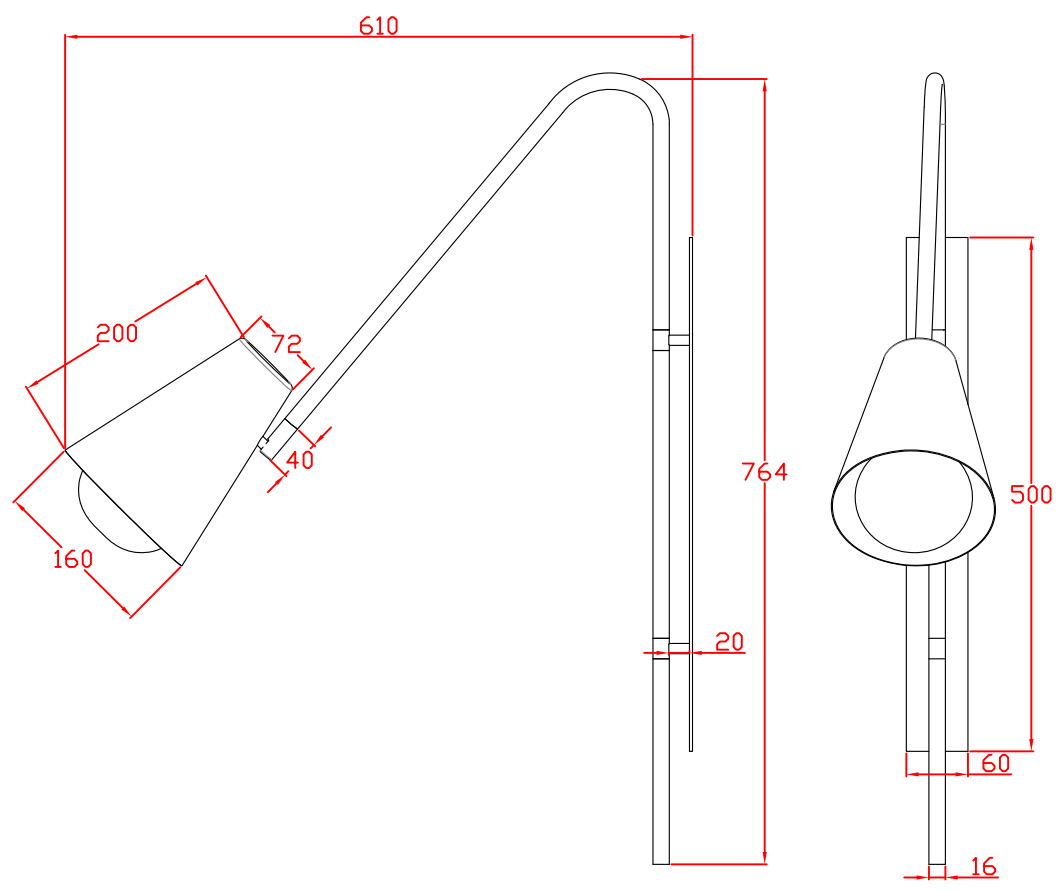
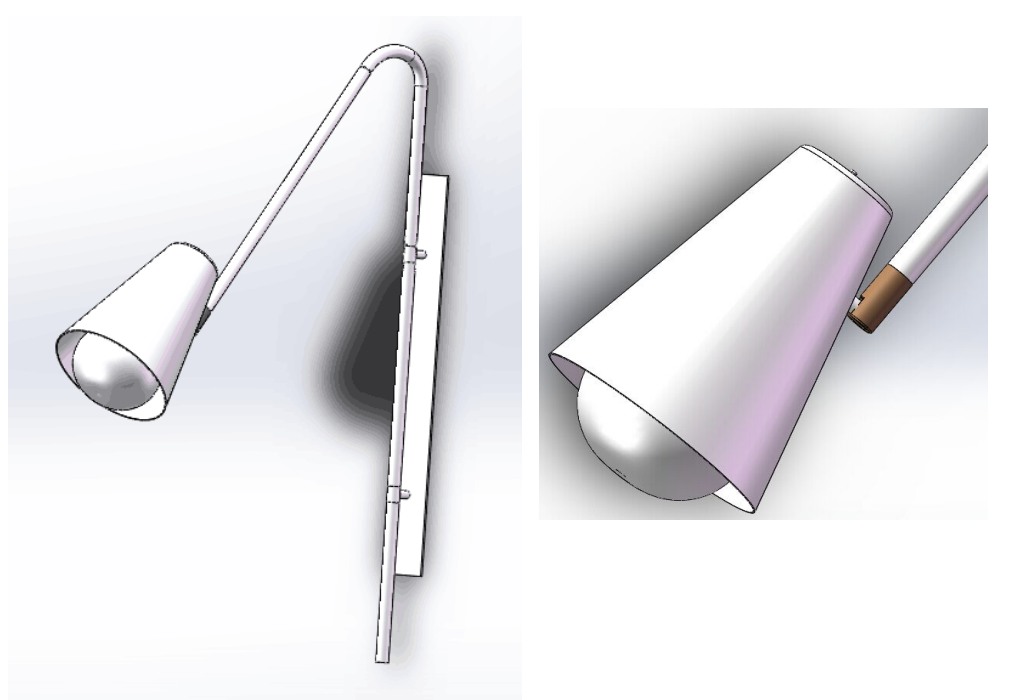


DO NOT SCALE DRAWING


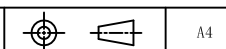


ZONE	REV.	DESCRIPTION	DATE	ISSUE BY



Remark:

1. Finish TBA
2. E27 lamp holder, big size LED lamp for source
3. The swivel which connect shade can adjust up and down, left and right.
4. Hard wire on back plate
5. All electrical components are AU/NZ standard

 ZeroUNO ZeroUNO Lighting		Product Name:			
		Project Name: Wall Light			
Material:	Unit as below if unmarked: 1. Unit (mm) ;	Producer:	Chen Yong	Date:	2015-12-14
Weight:		Checker:	Sonny Yu	Date:	2015-12-14
Finish:	Scale 1: 1	Approved By:	Date:		
		Item No.	Page 1 OF 1		Version: A0