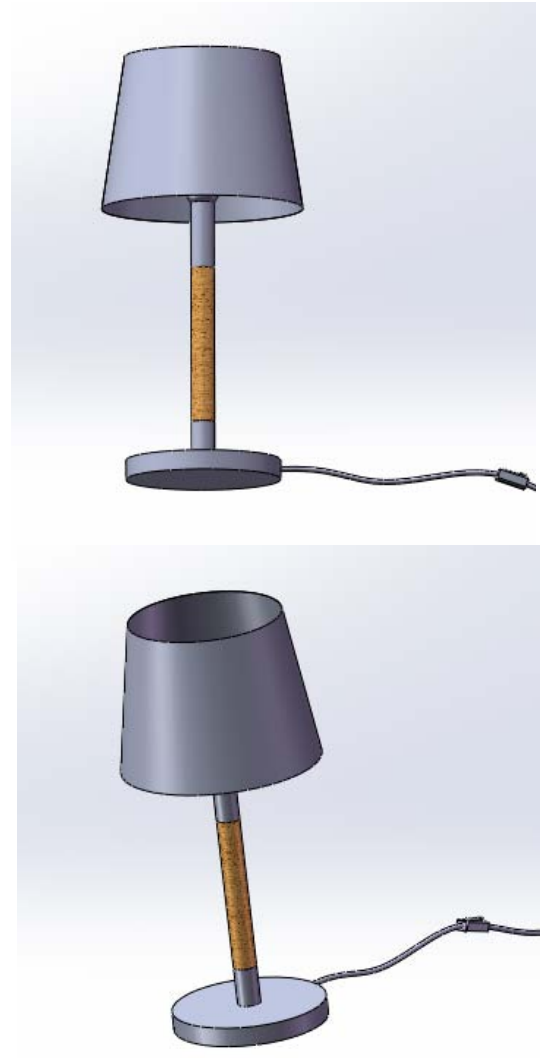
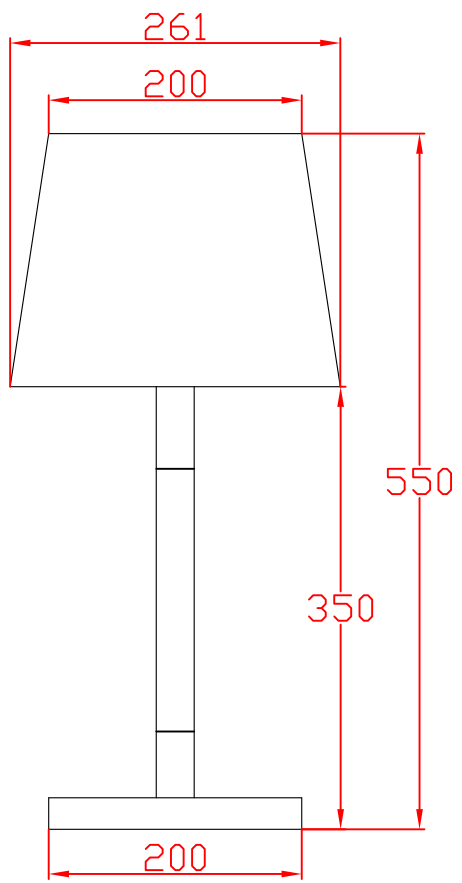



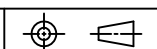
DO NOT SCALE DRAWING

ZONE	REV.	DESCRIPTION	DATE	ISSUE BY
------	------	-------------	------	----------



Remark:

1. Powder coated in white finish
2. In-line on/off switch, side entry wall plugs
3. 1x B22 lamp holders, 5W LED bulb for source
4. All electrical components are with AU/NZS standards

 ZeroUNO ZeroUNO Lighting		Product Name: HN table lamp	
		Project Name: HN	
Material:	Unit as below if unmarked: 1. Unit (mm) ;	Producer: Chen Yong	Date 2016-2-21
Weight:		Checker: Sonny Yu	Date 2016-2-21
Finish:	Scale 1: 1	Approved By:	Date:
		Item No. Table Lamp	Page 1 OF 1 Version: A0