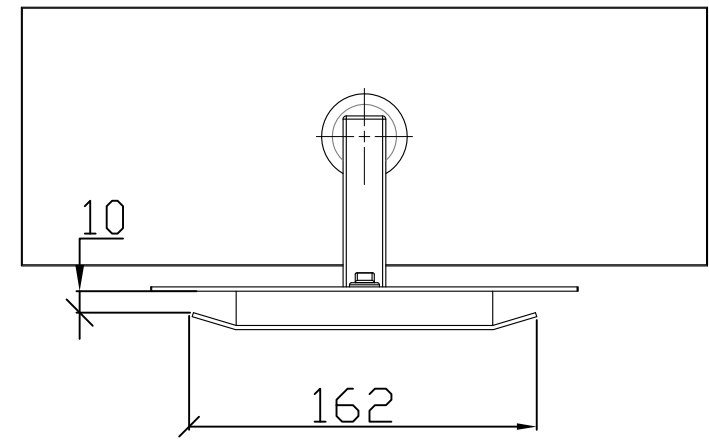
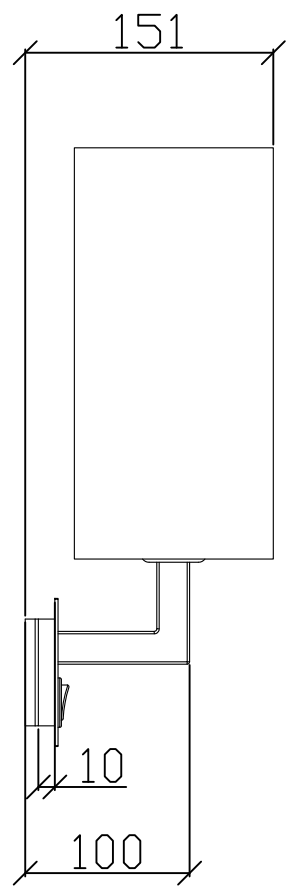
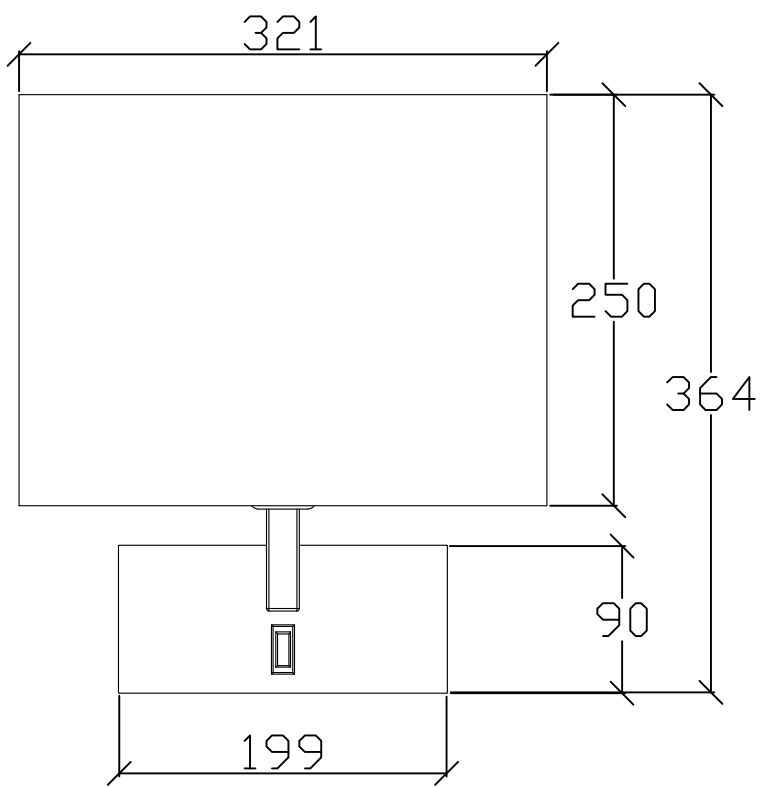
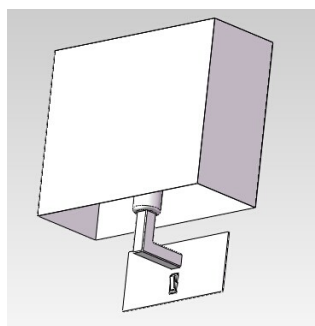
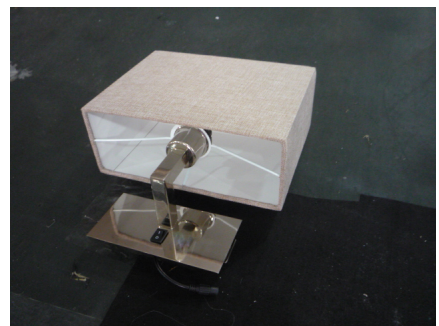



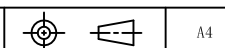
DO NOT SCALE DRAWING

ZONE	REV.	DESCRIPTION	DATE	ISSUE BY
------	------	-------------	------	----------



Note:  
 E27 lamp holder  
 White painting finish  
 SAA three pin wall plug  
 Double insulation of electric for whole lamp



 <b>ZeroUNO</b> ZeroUNO Lighting		Product Name:	
		Project Name: /-----	
Material:	Unit as below if unmarked: 1. Unit (mm) ;	Producer: Chen Yong	Date 2014-10-11
Weight:		Checker:	Date:
Finish:	Scale 1: 1	Approved By:	Date:
		Item No. /-----	Page <u>1</u> OF <u>1</u> Version: A0