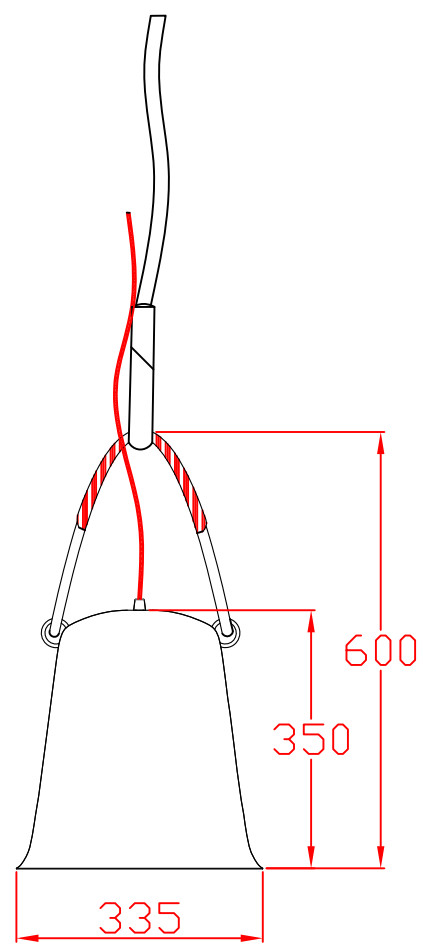



DO NOT SCALE DRAWING

ZONE	REV.	DESCRIPTION	DATE	ISSUE BY
------	------	-------------	------	----------



Remark:

1. Bright white outside, gold inside
2. E27 lamp holder
3. All electrical components are AU/NZ standard.

 ZeroUNO Lighting		Product Name:			
		Project Name: Ding Pendant Light			
Material:	Unit as below if unmarked: 1. Unit (mm) ;	Producer:	Chen Yong	Date	2015-12-14
Weight:		Checker:	Sonny Yu	Date	2015-12-14
Finish:	Scale 1: 1	Approved By:		Date:	
		Item No.		Page	1 OF 1
				Version:	A0