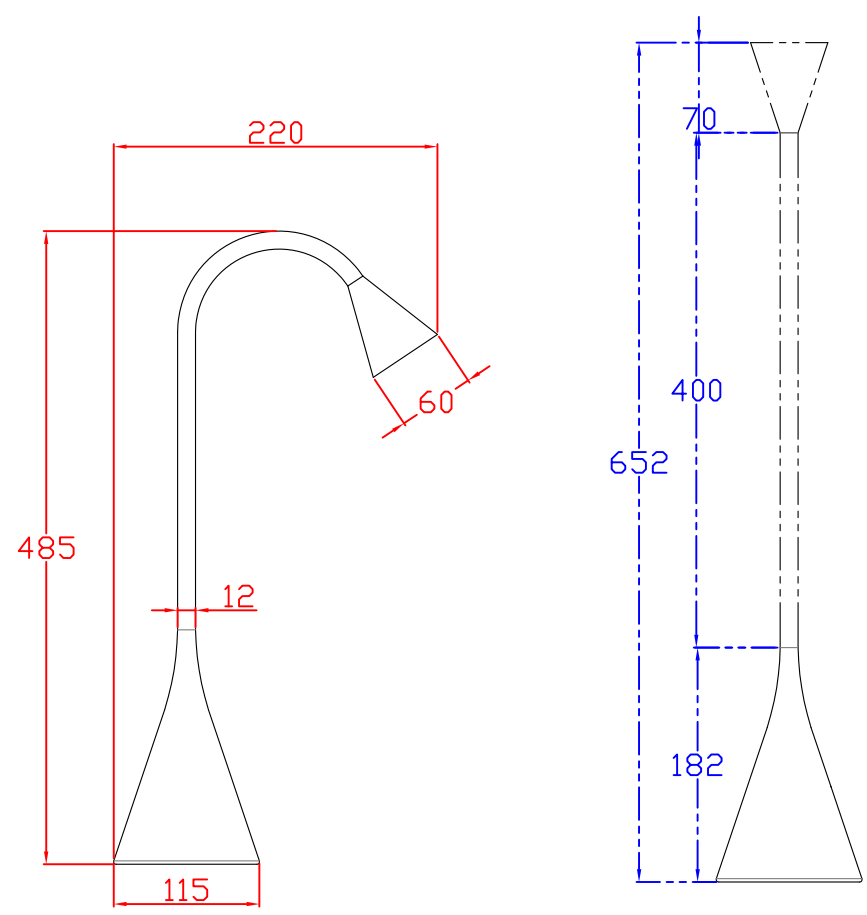



DO NOT SCALE DRAWING

ZNE	REV.	DESCRIPTION	IME	ISSUE BY
-----	------	-------------	-----	----------



Remark:

1. Black silicon tube for soft wand
2. 1x 3W Cree LED, light head in aluminum/cooper
3. Base in steel, finish in black powder coated
4. On/off switch on base, 1.5m black lead with side entry wall plug
5. Internal transformer for LED
6. All electrical components are AU/NZ standard, earthed

 ZeroUNO ZeroUNO Lighting		Product Name: Desk Reading Light	
		Project Name: /-----	
Material:	Unit as below if unmarked: 1. Unit (mm) ;	Producer: Chen Yong	Date 2016-5-3
Weight:		Checker: Sonny Yu	Date 2016-5-3
Finish:	Scale 1: 1	Approved By: /-----	Date: /-----
		Item No. /-----	Page <u>1</u> OF <u>1</u>
			Version: A0