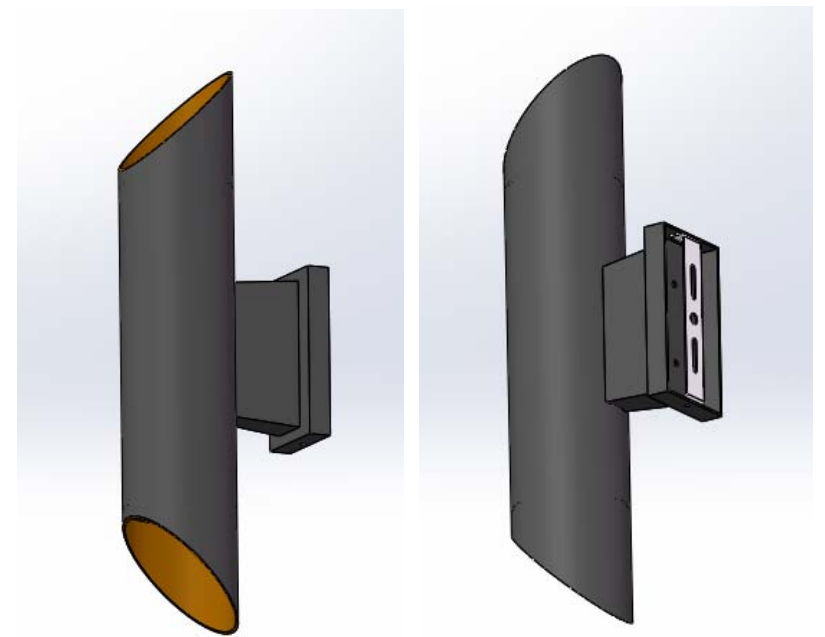
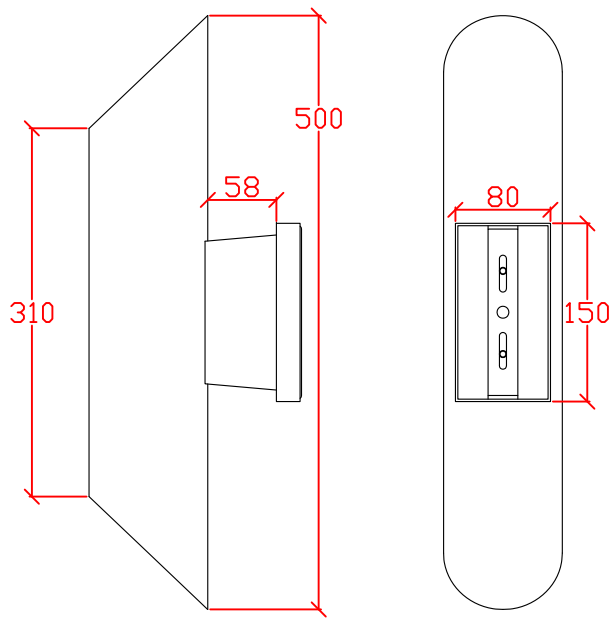




DO NOT SCALE DRAWING

ZMC	REV.	DESCRIPTION	IME	ISSUE BY
-----	------	-------------	-----	----------



Remark:

1. Matt black finish outside, and bronze finish inside
2. 2x E27 LED bulbs for source
3. Hardwired on back
4. All electrical components are AU/NZ standard

 <b>ZeroUNO</b> ZeroUNO Lighting		Product Name: Wall mounted light type H	
		Project Name: DDH	
Material:	Unit as below if unmarked: 1. Unit (mm) ;	Producer: Chen Yong	Date: 2015-8-27
Weight:		Checker: Sonny Yu	Date: 2015-8-27
Finish:	Scale 1: 1	Approved By:	Date:
		Item No.	Page <u>1</u> OF <u>1</u>
			Version: A1