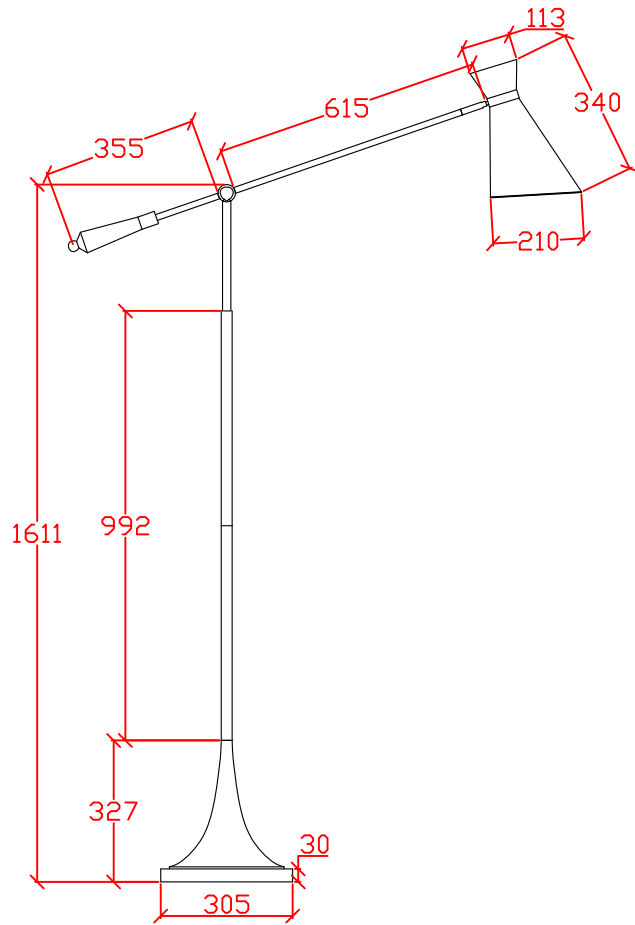



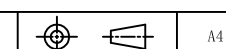
DO NOT SCALE DRAWING

ZONE	REV.	DESCRIPTION	DATE	ISSUE BY
------	------	-------------	------	----------



Remark:

1. Finish TBA
2. 1.5m cord with foot switch on line, off base 30mm, three pin side entry wall plug
3. E27 lamp holder, E27 6W LED bulb for light source
4. All electrical components are AU/NZ standard.

 ZeroUNO ZeroUNO Lighting		Product Name: Conesk Floor Light	
		Project Name: /-----	
Material:	Unit as below if unmarked: 1. Unit (mm) ;	Producer: Chen Yong	Date 2015-6-9
Weight:		Checker: Sonny Yu	Date 2015-6-9
Finish:	Scale 1: 1	Designer: Tracy Cook-Kelland	
		Item No. /-----	Page <u>1</u> OF <u>1</u>
			Version: A0