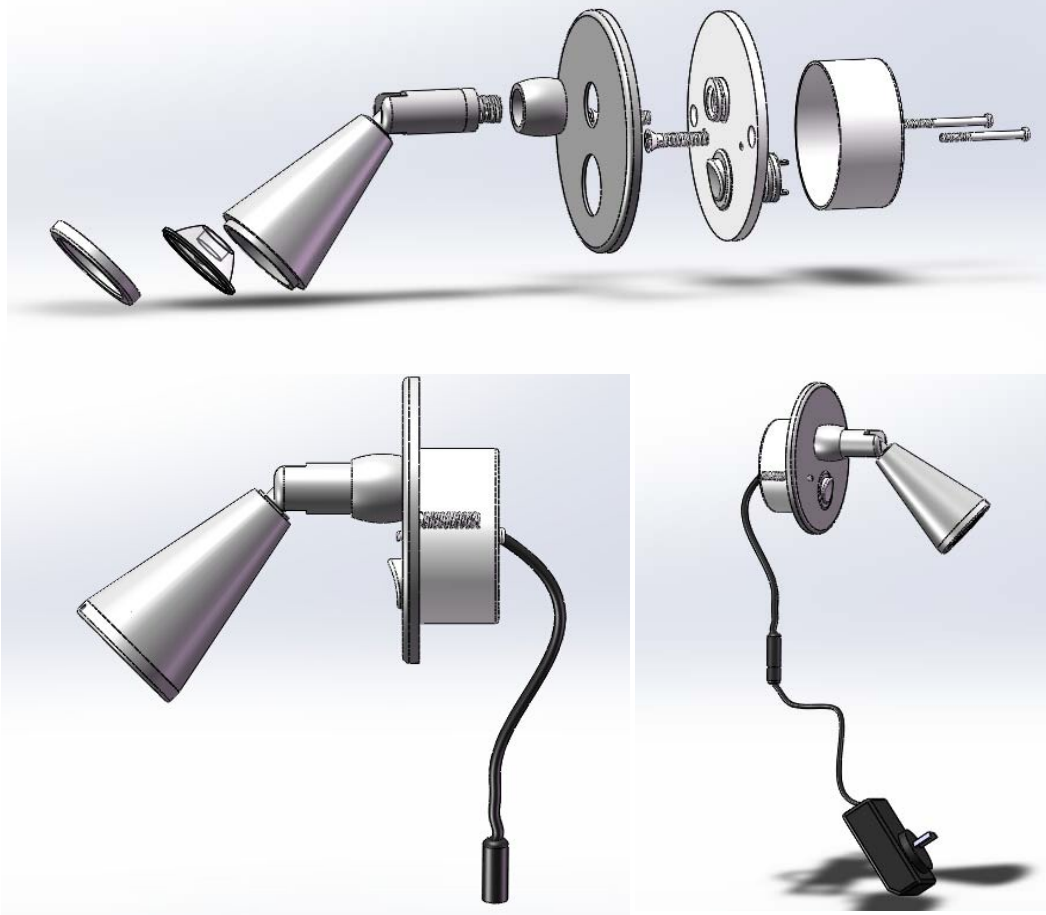
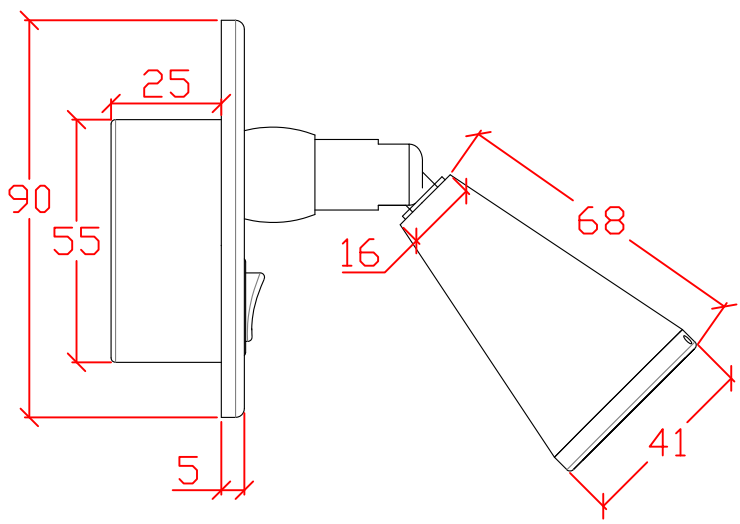


DO NOT SCALE DRAWING

ZMC	REV.	DESCRIPTION	IME	ISSUE BY
-----	------	-------------	-----	----------



Remark:

1. Powder coated as per CPL series
2. 3W~5W LED COB for light source
3. ON/OFF rocker switch on plate
4. Wall plug transformer with 1 m lead, and lead wire from lamp is 1.2m, male/female connectors
5. M2 screw to fix the front ring
6. All electrical components are AU/NZ standard.

 ZeroUNO ZeroUNO Lighting		Product Name: Bedhead reading Light	
		Project Name: /-----	
Material:	Unit as below if unmarked:	Producer: Chen Yong	Date 2015-11-16
	1. Unit (mm) ;	Checker: Sonny Yu	Date 2015-11-16
Weight:		Approved By:	Date:
Finish:	Scale 1: 1	Item No.	Page <u>1</u> OF <u>1</u>
		Version: A0	