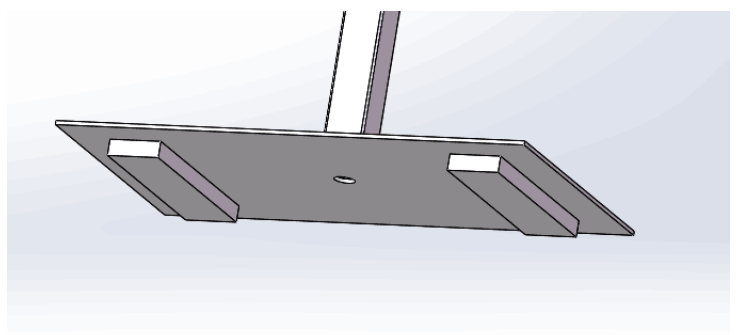
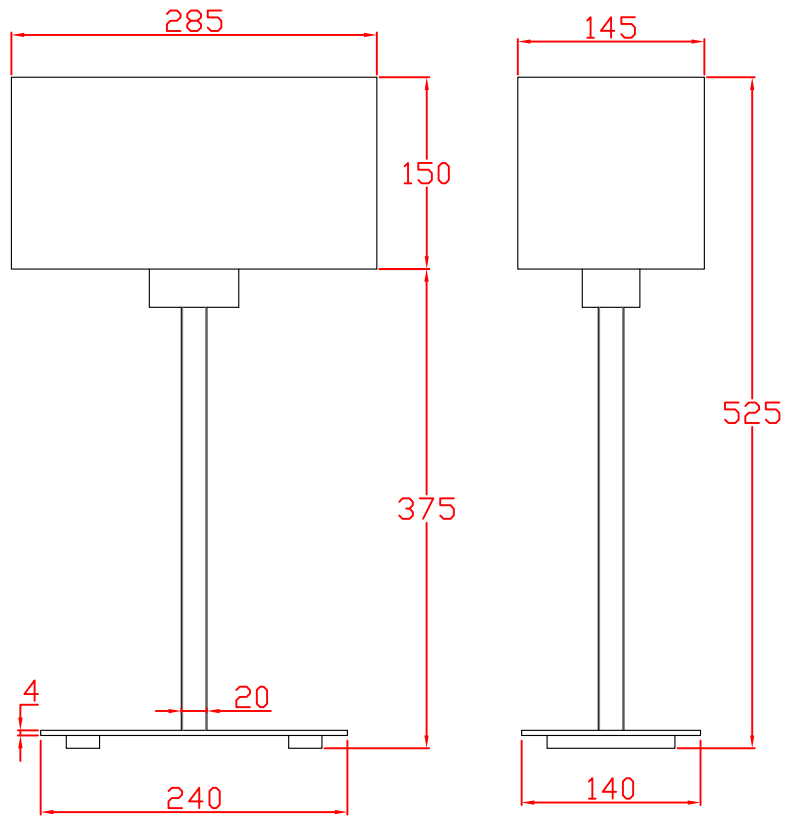




DO NOT SCALE DRAWING

ZME	REV.	DESCRIPTION	DME	ISSUE BY
-----	------	-------------	-----	----------



Remark:

1. Finish: Satin Nickel, fabric TBA
2. 1x E27 lamp holder
3. In line on/off switch, off base 15cm, 1.5m black cord with side entry wall plug
4. All electrical components are AU/NZ standard, double insulated for the whole lamp

 <b>ZeroUNO</b> ZeroUNO Lighting		Product Name: Table Lamp	
		Project Name: /-----	
Material:	Unit as below if unmarked: 1. Unit (mm) :	Producer: Chen Yong	Date 2016-5-3
Weight:		Checker: Sonny Yu	Date 2016-5-3
Finish:	Scale 1: 1	Approved By: /-----	Date: /-----
		Item No. /-----	Page <u>1</u> OF <u>1</u>
			Version: A0